

PROCENTEC

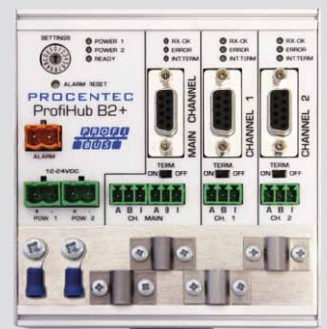


ProfiHub B2+R

3 Segment Redundant PROFIBUS DP Repeater

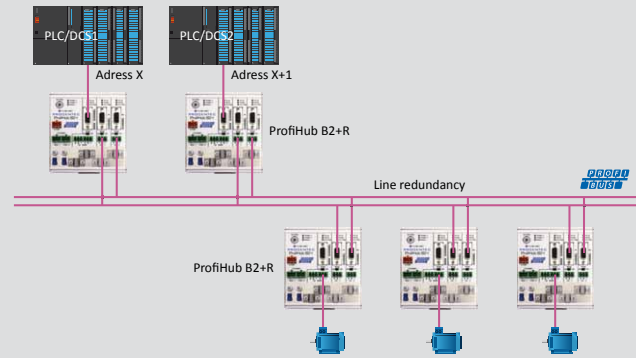
The ProfiHub B2+R is the perfect economic solution to create reliable spur lines in high speed PROFIBUS DP networks within IP 20 environments. This robust network component bridges all user's requirements, creates backbone structures and long multi-device star/tree segments. The ProfiHub B2+R is the ideal component to design flexible and object oriented networks. When redundancy is enabled, the ProfiHub B2+R transforms to a low cost and extremely reliable redundant repeater solution.

The ProfiHub B2+R is equipped with 2 galvanic isolated transparent repeaters (offering 3 segments). This allows network structures with extended spur lines that individually can handle up to 31 devices and a length equal to the main bus. To save costs on plugs and offer flexibility, it contains screw terminals as well as DB9 connectors. Termination for each segment is on-board and switchable. If bus redundancy is enabled, 2 segments will form a redundant pair that is completely compatible with the ABB RLM01. An alarm contact is linked to events based on the status of the power supply and the bus redundancy status. Because the ProfiHub B2+R creates isolated segments, the devices can be removed and added during operation. Also electrical bus problems and EMC disturbances in a spur do not spread to the other segments.



Application areas

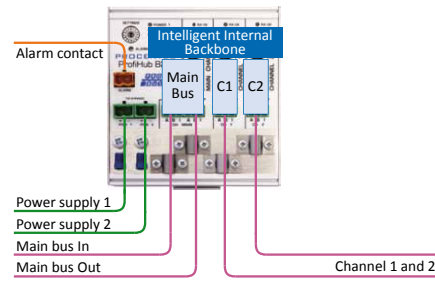
- Large star/tree structured networks
- Removable drives and motors
- Pull/Plug motor control centers
- Roof mounted devices in tank farms
- Barrier for non-galvanic isolated equipment



If bus redundancy is enabled, 2 segments will form a redundant pair.
Short circuit protection on each spur line is automatically provided.

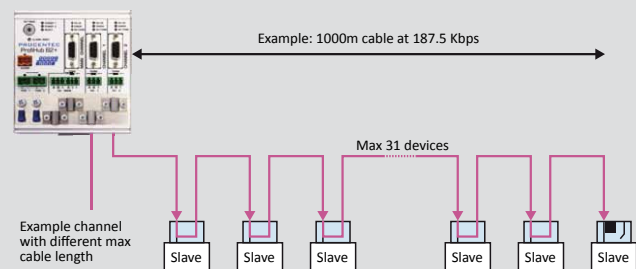
Your benefits

- Option to create a redundant path to Hubs or ComBricks
- Hot slave insertion and removal during operation
- Short circuit protection on each channel
- Compact and robust construction
- Status and error display (per channel)
- Suitable for all DP cables
- Easy extendable installations
- Cost Savings



Product features

- 2 Galvanic isolated outgoing channels
- Transparent for all PROFIBUS DP protocols
- DP - RS 485 specifications for each channel
- 31 Devices per channel
- Max. 1200m spur line length
- 9.6 Kbps to 12 Mbps
- Configurable grounding system
- Integrated termination facilities
- IP 20 classification
- Redundant power supply
- Cable redundancy for channel 1+2
- No limit in serial placement or cascading of ProfiHubs
- Alarm contact, with manual reset button



Cable lengths for PROFIBUS DP.

